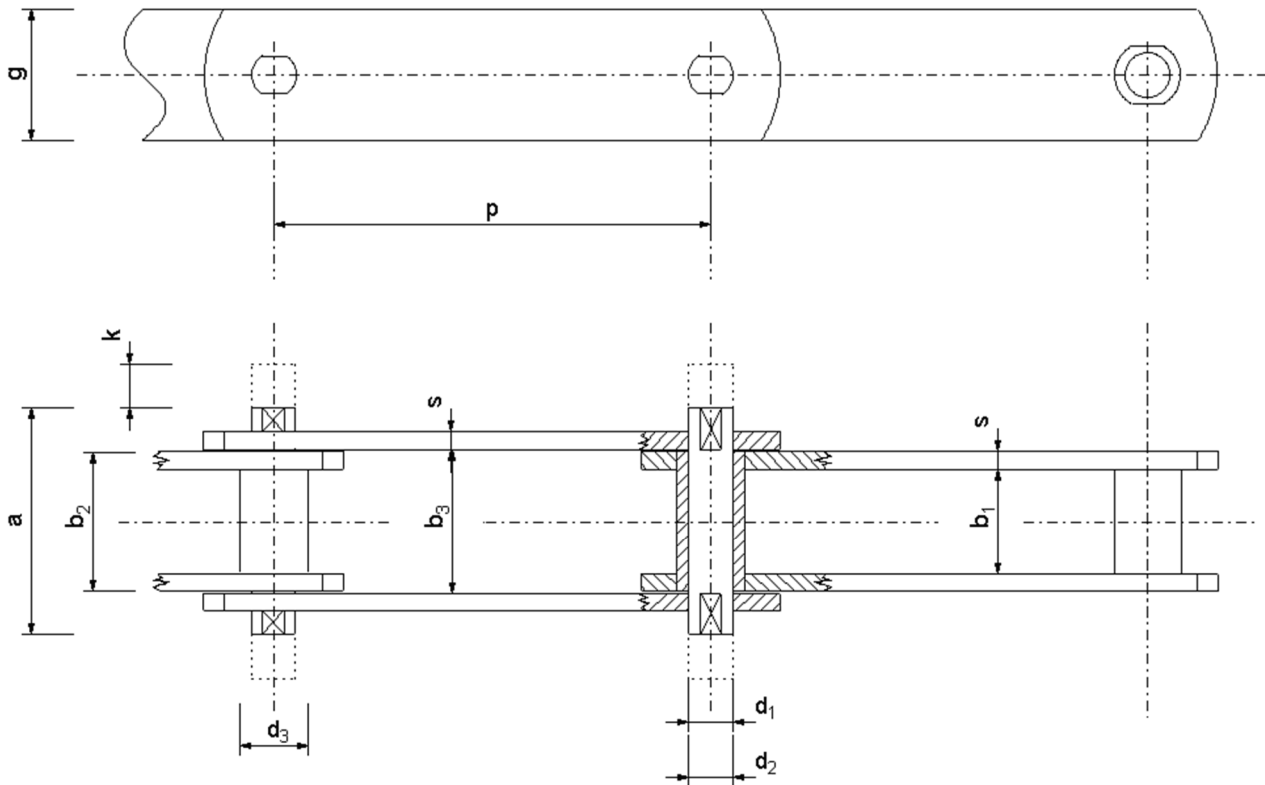


Erhebungsblatt Förderkette



Material = _____

Fördergut = _____

Kettenlänge = _____

Kettenschloss Menge = _____ Stück

g = _____ mm

d1 = _____ mm

p = _____ mm

d2 = _____ mm

a = _____ mm

d3 = _____ mm

b1 = _____ mm

b2 = _____ mm

b3 = _____ mm

s = _____ mm

k = _____ mm